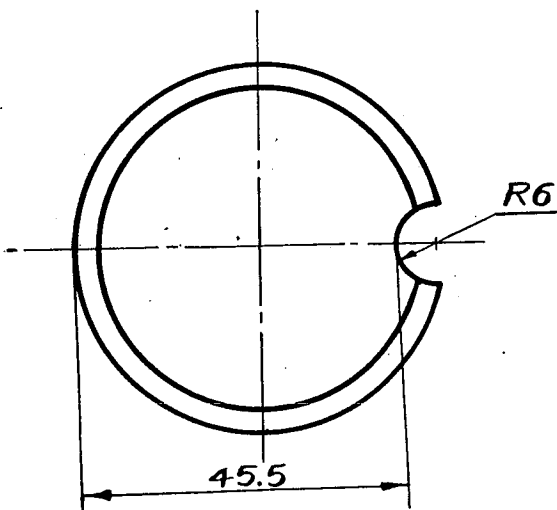
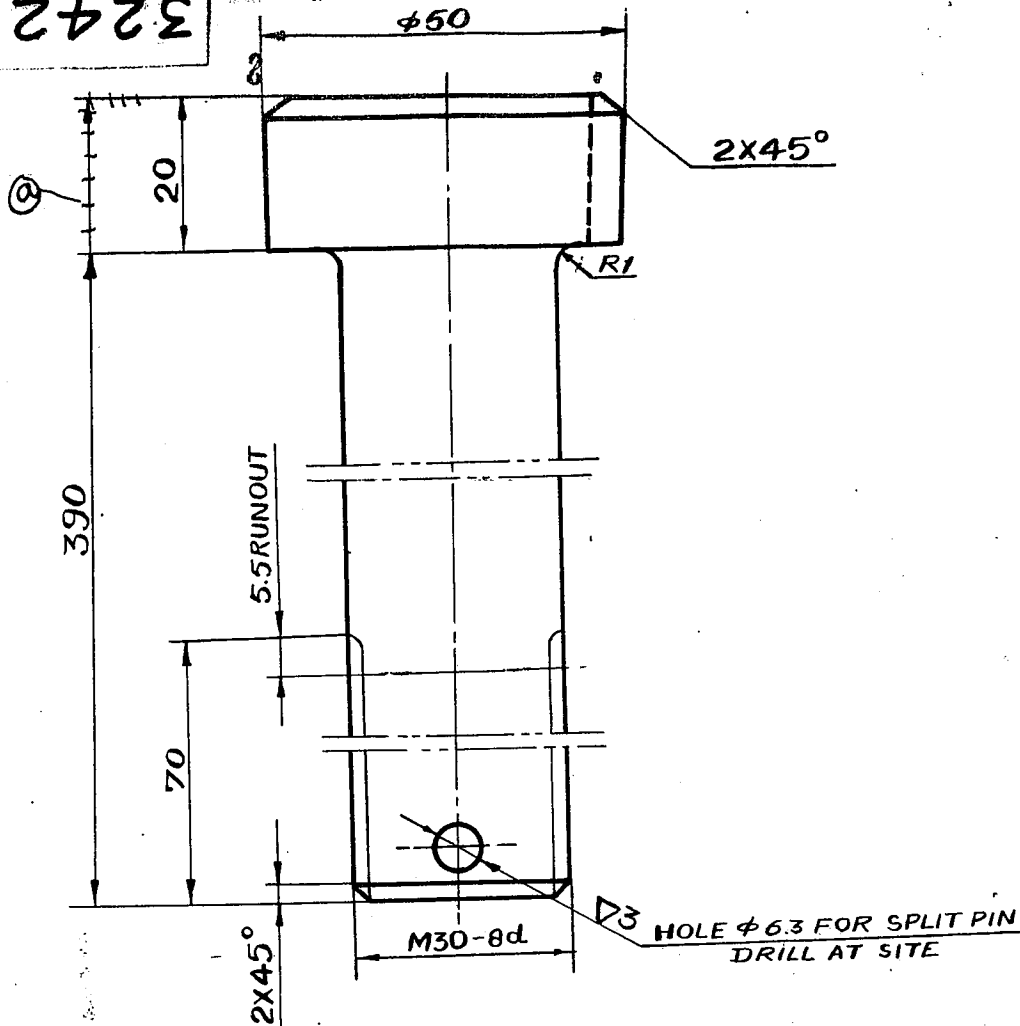


32424002



MASTER COPY

DR. PRAKASH

INVENTORY NO.	51-7341	SIGN AND DATE	22.3.72	SUPERSEDES INVENTORY NO.		DUPLICATE INVENTORY NO.		SIGN AND DATE		U.S.S.R. DRAWING NO.	NH 541267	U.S.S.R. G.R.SP. (ASSEMBLY)	1183106
---------------	---------	---------------	---------	--------------------------	--	-------------------------	--	---------------	--	----------------------	-----------	-----------------------------	---------

Q	1	STD-74-51	Pitman 3/1	13.3.72
CHG NOS.		DOCU NO.	SIGN	DATE
WORKED BY	P. SINGH	Pitman 3/1		3.3.72
CHECKED BY	P. SINGH	Pitman 3/1		3.3.72
SUPERVISED				
TECH CONT	J. LAL	Jal		25.3.72
STD CONT	M. P. SINGH	mpsingh		19.4.72
APPROVED	J. N. KARAN	J. Karan		20/4/72

C-200-130  
**SPECIAL BOLT**  
 M30X390  
 STEEL  
 C 40 IS: 2073-62  
 45 GOST 1050-60

32424000 SP	
32424002	
LETTER	WEIGHT
B	2.42
SCALE	1:1
SHEET 1	TOTAL SHEET 1
<b>HEEP</b>	<b>STD</b>